

# UNI<sup>VAL</sup>®



## GENERAL DESCRIPTION

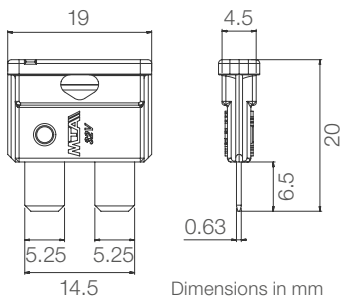
Breaking capacity	1000 A
Voltage rating	32 V
Ambient temp. + overheating	-40 °C to +125 °C
Body material	PBT-GF20
Blade material	Zinc
Blade coating	Raw or tin plated
Vibration class compliant with	ISO 16750-3 Test IV
Compliant with	ISO 8820-3 (type C) REACH, RoHS

## RATINGS

Size [A]	Color coding	Expected voltage drop [mV]	ISO cable size [mm <sup>2</sup> ]	I <sup>2</sup> t* [A <sup>2</sup> s]	Average cold resistance** [mΩ]
1	Black	105	0.35	2	88
2	Grey	142	0.35	157	50
3	Violet	135	0.35	200	32
4	Pink	126	0.35	205	22
5	Light brown	119	0.5	218	17
7.5	Brown	139	0.75	304	10
10	Red	112	1.0	320	7.1
15	Blue	104	1.5	480	4.7
20	Yellow	117	2.5	720	3.5
25	White	104	2.5	1155	2.6
30	Green	103	4.0	1843	2.0
40	Orange	101	6.0	2880	1.4

\*Calculated from breaking capacity test  
\*\*At ambient temperature = 23 ±1 °C

## OVERALL DIMENSIONS

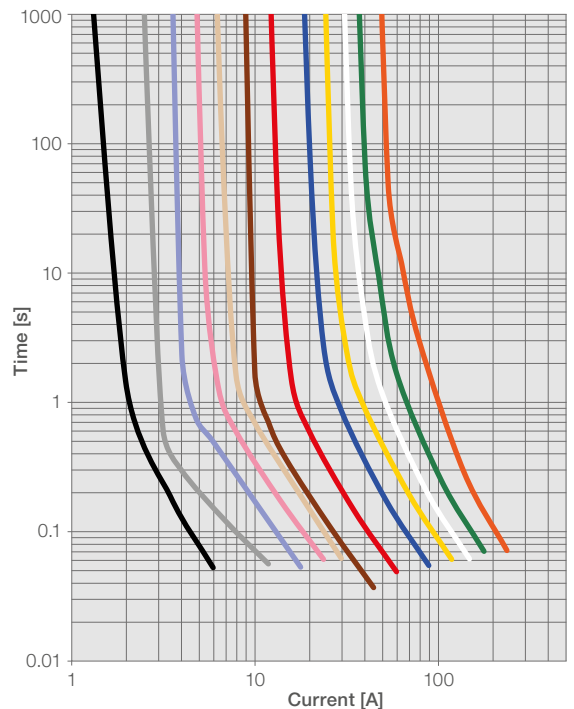


## MELTING TIME AND CURVE

Operating time limits:

% I <sub>R</sub>	Min [s]	Max [s]
110	360000	∞
135	0.75	600
160	0.25	50
200	0.15	5
350	0.04	0.5
600	0.02	0.1

Melting time graph at 23°C on test module ISO



## RERATING CURVE

