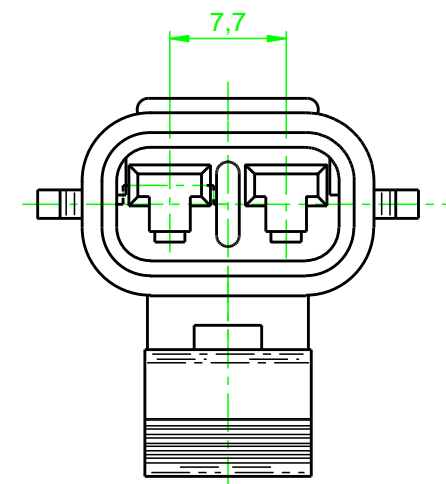
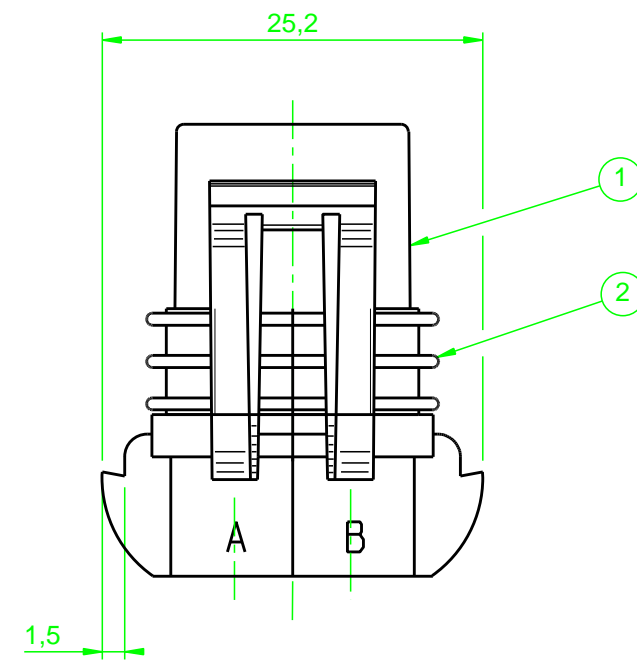
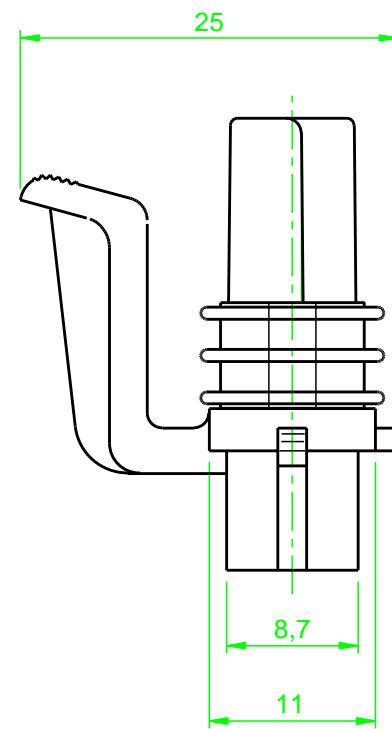
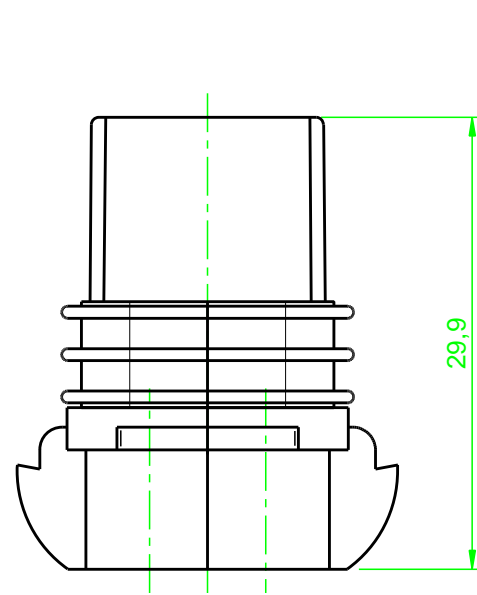


REV.	REVISION HISTORY	NAME	DATE
0	FIRST ISSUE	S.MANZONI	14.07.15
-	-	-	-



OPERATING FEATURES		
FEATURES	UNIT	VALUE
V MAX	V	32
TEMPERATURE RANGE	°C	-40 / +90
IP	IEC 529	67
FLAMMABILITY	UL 94	HB
	FMVSS 302	≤100 mm/min

UNCONTROLLED COPY
 in case of drawing updating/revision
 NO AUTOMATIC
 resubmission will follow

2	1	GASKET	SILICON RUBBER
1	1	MAIN BODY	PA66 - BLACK
POS.	Q.TY	DENOMINATION / DENOMINAZIONE	MATERIAL / MATERIALE

MTA		MTA P/N	4423530		Denom.	CONNECTOR 2 WAYS FH SEAL 280
		Draw No.	B0-260.H01A		Used for	TERMINALS F280
	Date	Name	Draw for		Material	SEE TABLE
Draft.	14.07.15	S.MANZONI	CLIENT		Coating	-
Chk	-	-	Scale	Weight(g)	Lin.Tol.±	Ang.Tol.±
Verif.	17.07.15	M.PASQUANDREA	2:1	-	ISO 2768-1(C)	ISO 2768-1(C)
PQApp	21.07.15	M.ROSSI	A3	Dimensions in (mm)	Sheet	1/1
App.	21.07.15	D.BERTOLI				

REV. 0 All proprietary rights reserved by MTA S.p.A. - This drawing shall not be reproduced, or in any way utilized, for the manufacture of the component or unit herein illustrated and must not be released to other parties, without written consent. Any infringement will be legally pursued.