

4

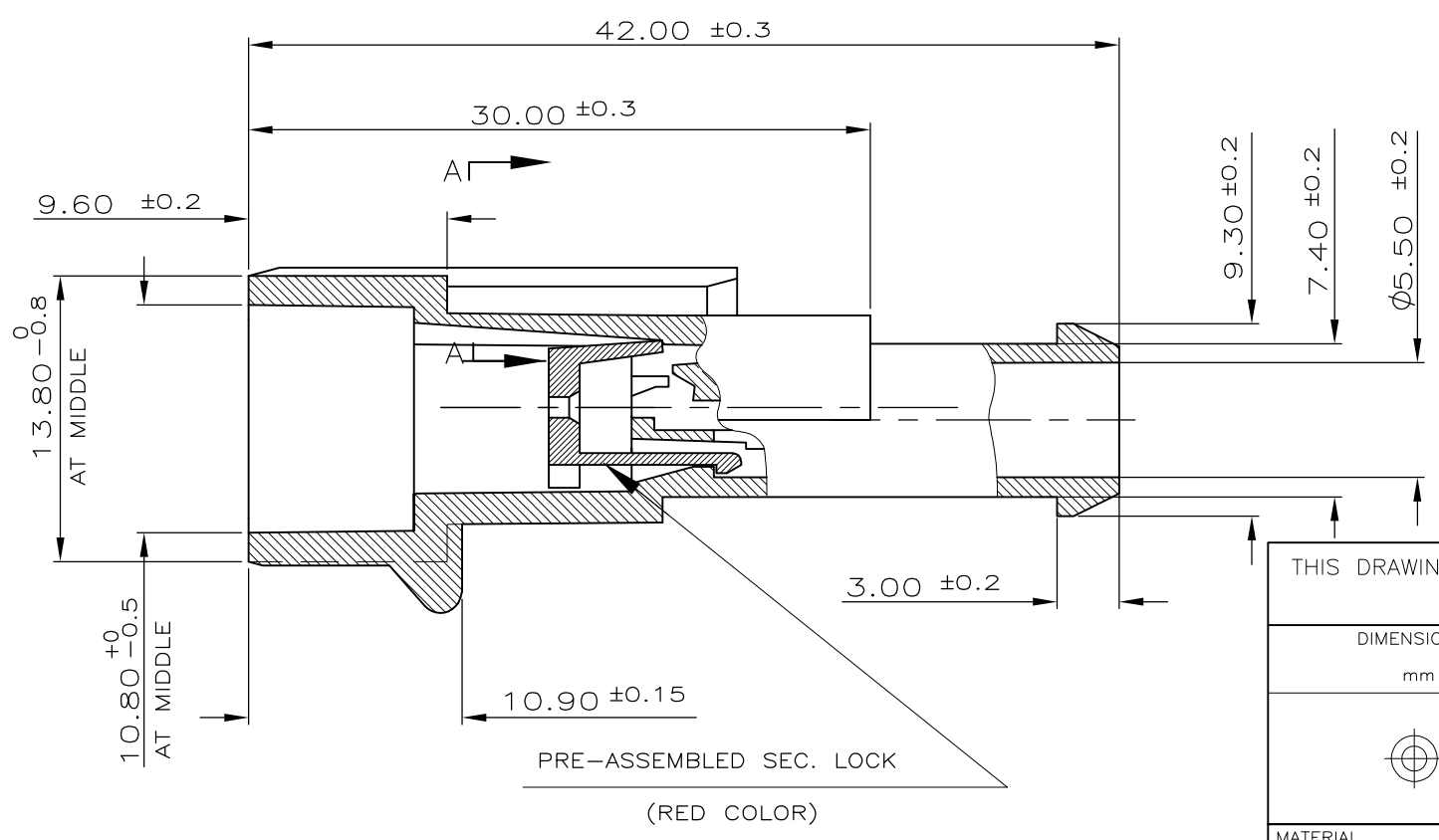
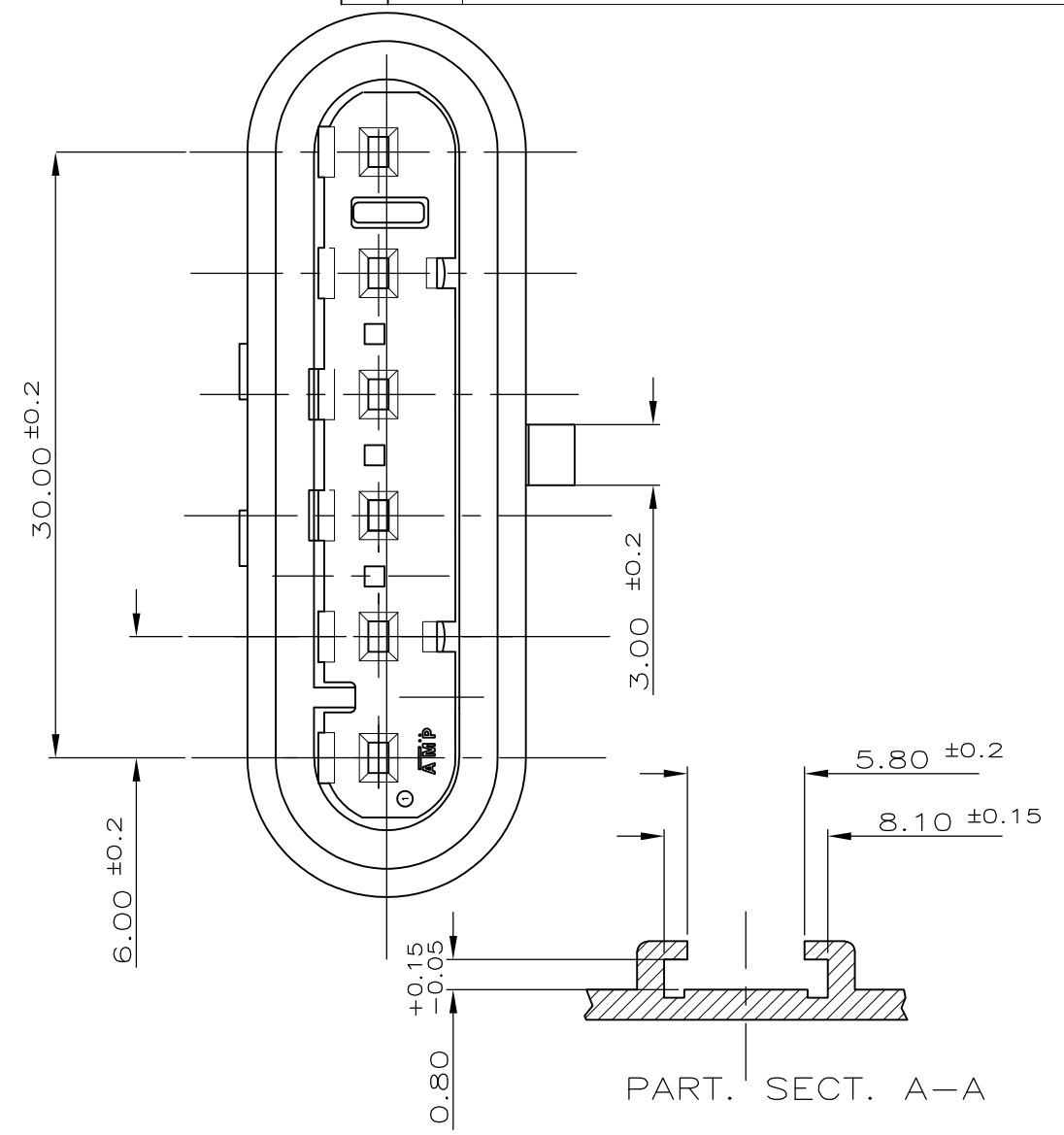
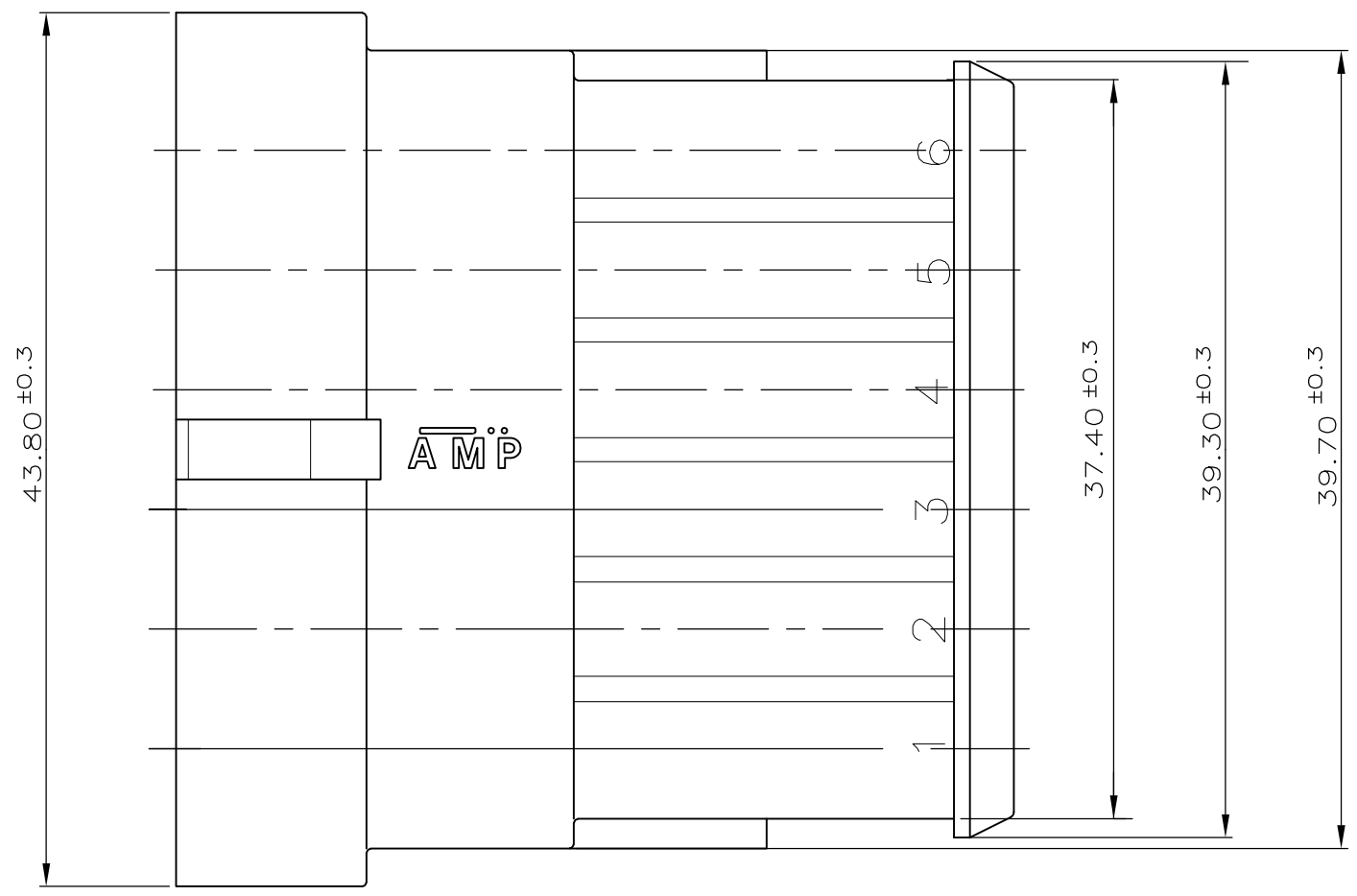
3

2

1

THIS DRAWING IS UNPUBLISHED. RELEASED FOR PUBLICATION  
 © COPYRIGHT - By - ALL RIGHTS RESERVED.

| LOC | DIST | REVISIONS   |                           |         |        |
|-----|------|-------------|---------------------------|---------|--------|
| P   | LTR  | DESCRIPTION | DATE                      | DWN     | APVD   |
|     |      | C2          | REVISED PER ECO-11-005033 | 13APR11 | RK HMR |



|  |                         |   |
|--|-------------------------|---|
| GREY                                   | G.F. PA66               | 282108-2                                    |
| BLACK                                  | G.F. PA66               | 282108-1                                    |
| FINITURA / COLORE<br>(FINISH / COLOUR) | MATERIALE<br>(MATERIAL) | NUMERO<br>(PART NUMBER)                     |
| CUSTOMER DWG.<br>FOR REFERENCE ONLY    |                         | DISEGNO PER CLIENTE<br>SOLO PER RIFERIMENTO |

|  |  |                       |         |                                     |                    |
|--|--|-----------------------|---------|-------------------------------------|--------------------|
| THIS DRAWING IS A CONTROLLED DOCUMENT. |  | DWN<br>C.BERTINI      | 2-90    | <b>STE</b> TE Connectivity          |                    |
| DIMENSIONS:<br>mm                      |  | CHK<br>A.BRUNI        | 1/10/92 |                                     |                    |
| TOLERANCES UNLESS OTHERWISE SPECIFIED: |  | APVD<br>-             |         | NAME                                |                    |
| 0 PLC ± -                              |  | PRODUCT SPEC<br>-     |         | 6 POS TAB ASS'Y                     |                    |
| 1 PLC ± 0.3                            |  | APPLICATION SPEC<br>- |         | AMP SUPERSEAL 1.5 SERIES CONNECTORS |                    |
| 2 PLC ± -                              |  | WEIGHT<br>-           |         | SIZE<br>A3                          | CAGE CODE<br>00779 |
| 3 PLC ± -                              |  | CUSTOMER DRAWING      |         | DRAWING NO<br>C-282108              | RESTRICTED TO<br>- |
| 4 PLC ± -                              |  | SCALE<br>-            |         | SHEET<br>1 OF 1                     |                    |
| ANGLES ± 2°                            |  | REV<br>C2             |         |                                     |                    |
| FINISH<br>-                            |  |                       |         |                                     |                    |
| MATERIAL<br>-                          |  |                       |         |                                     |                    |
| DIAM. ISOLANTE<br>(INS. DIA. RANGE)    |  |                       |         |                                     |                    |
| RANGO FILO<br>(WIRE RANGE)             |  |                       |         |                                     |                    |