

4

3

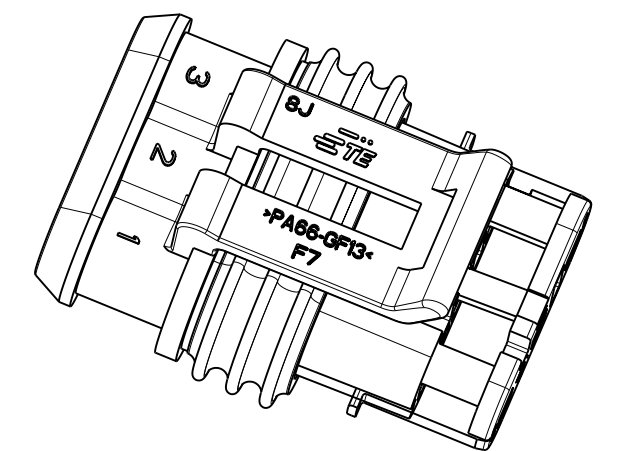
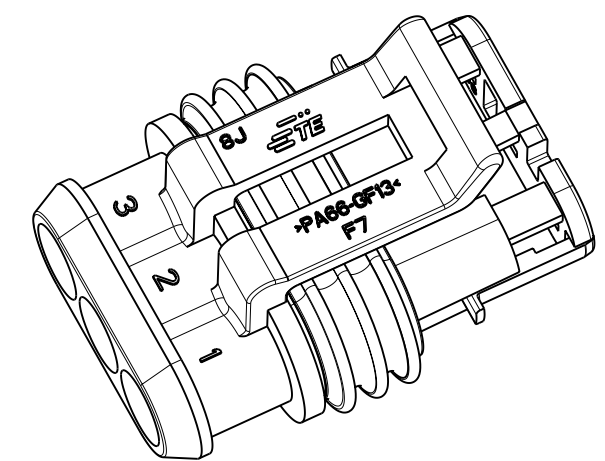
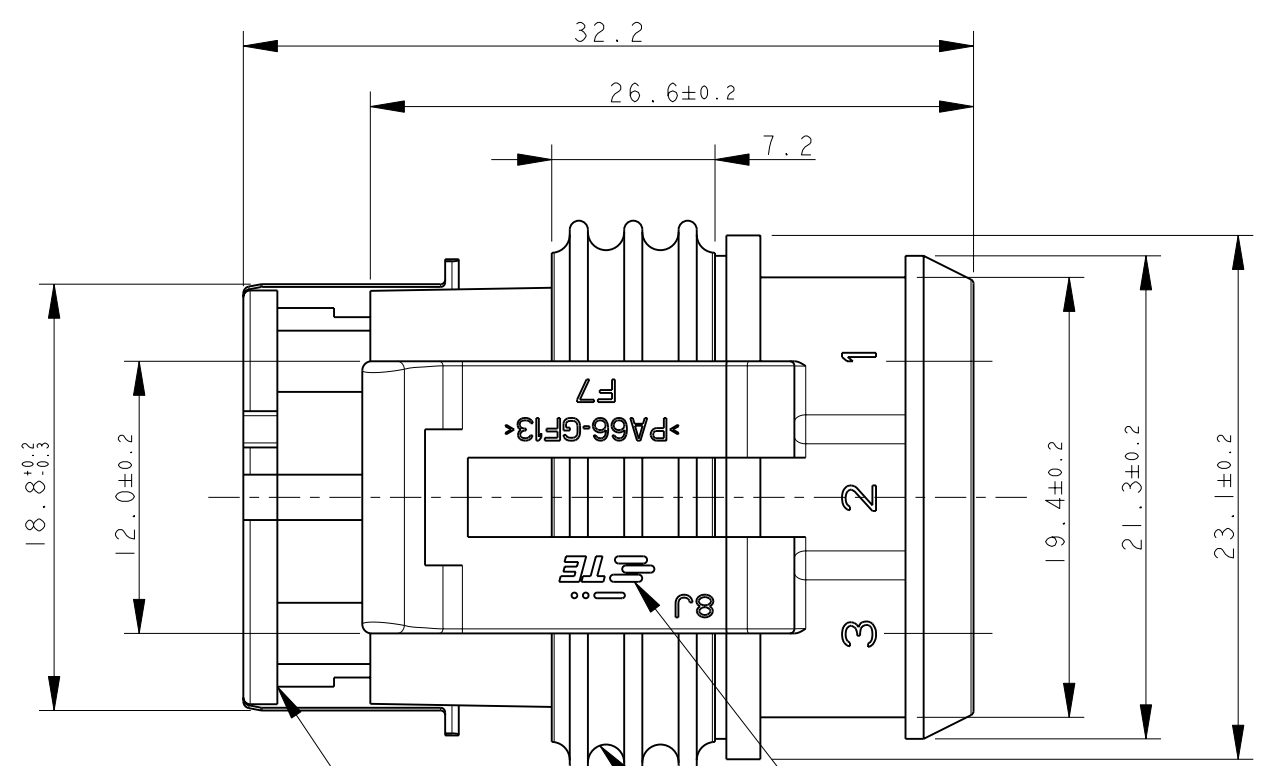
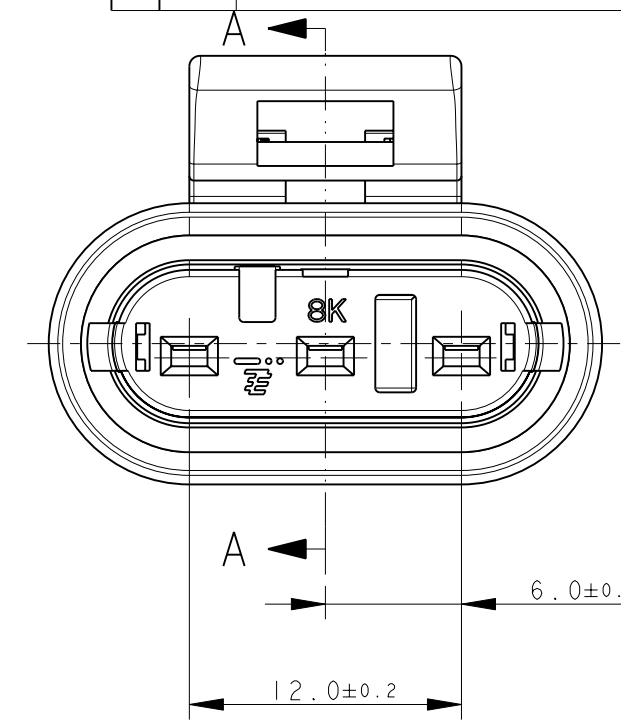
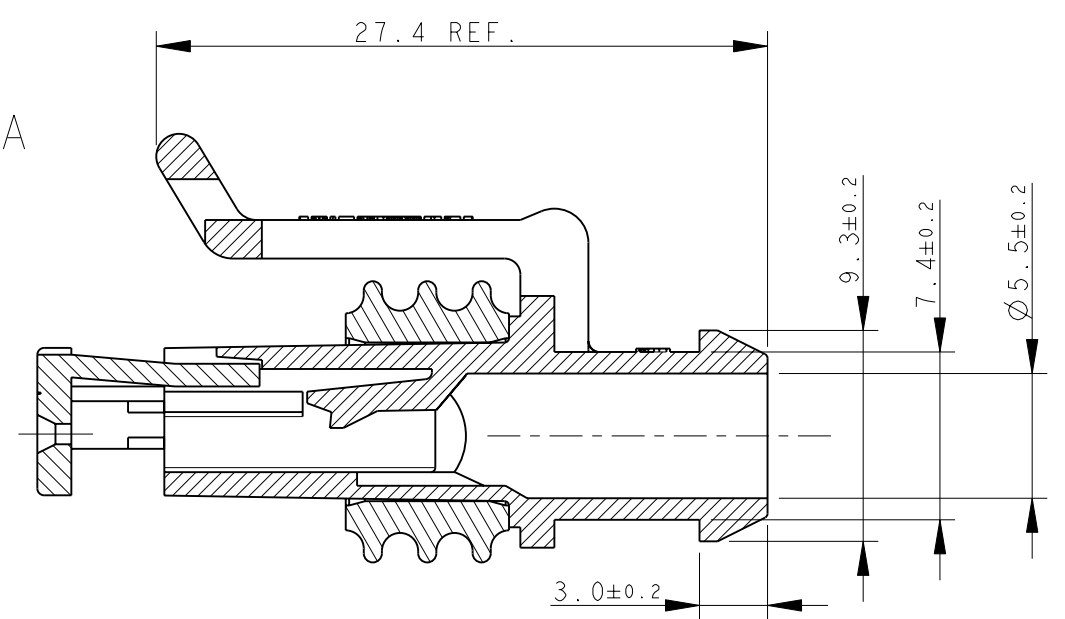
2

1

THIS DRAWING IS UNPUBLISHED. RELEASED FOR PUBLICATION 2011
 © COPYRIGHT 2011 ALL RIGHTS RESERVED.

LOC	DIST	REVISIONS			
P	LTR	DESCRIPTION	DATE	DWN	APVD
		B4	REVISED PER ECO-11-005033	02APR2011	RK HMR
		B5	REVISED BY ECR-11-024280	13DEC2011	M.F. M.G.

SECTION A-A



1) FOR COUNTERPART DETAILS, SEE SHEET 2 OF 2

GRAY	PA66-GF	282087-2
BLACK	PA66-GF	282087-1
FINISH/COLOR	MATERIAL	PART NUMBER

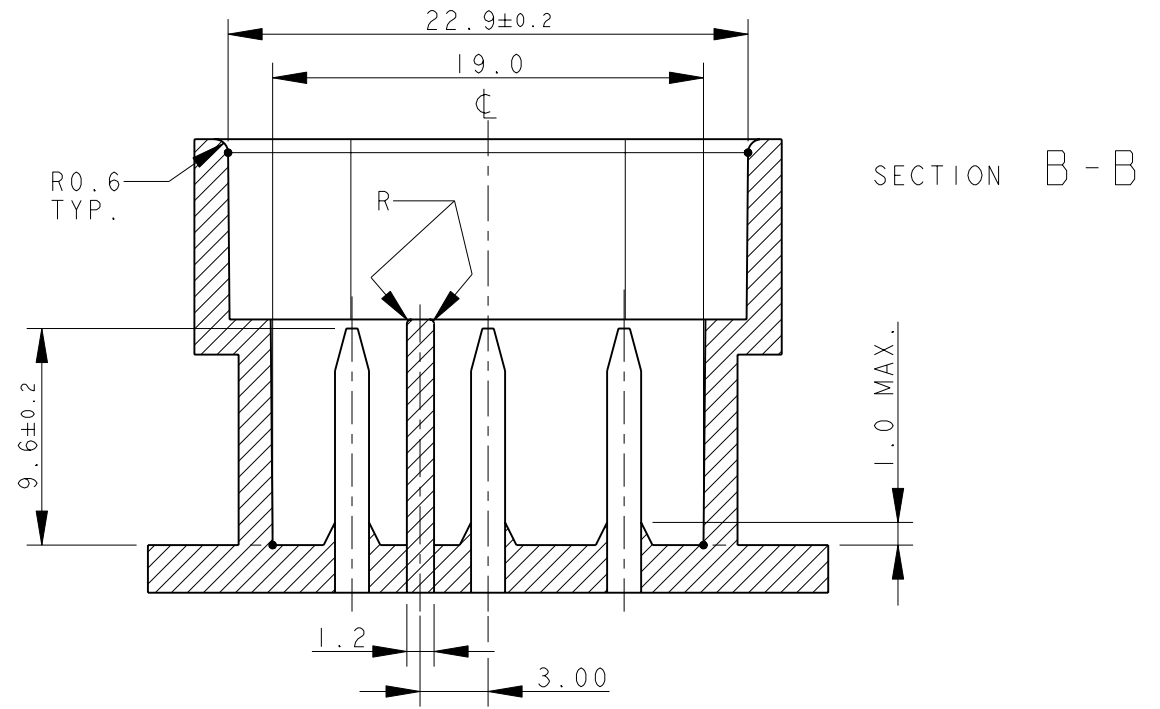
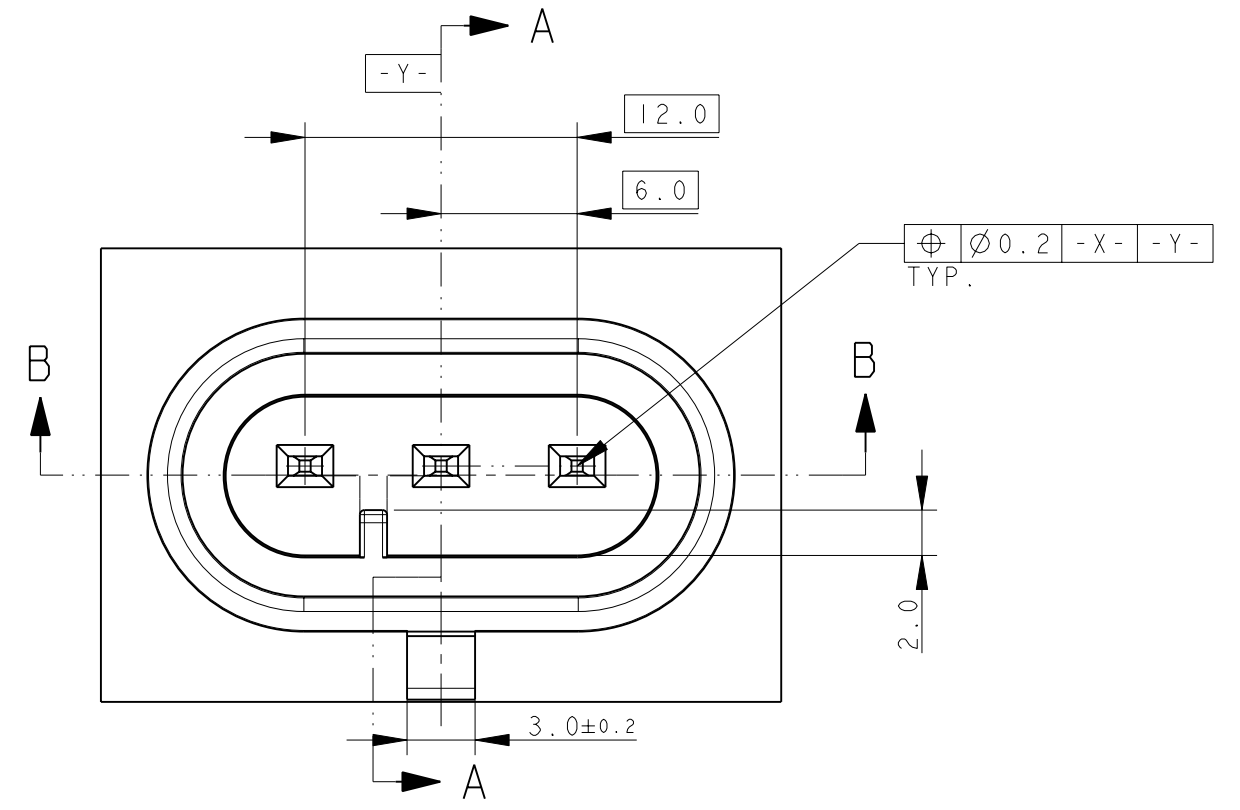
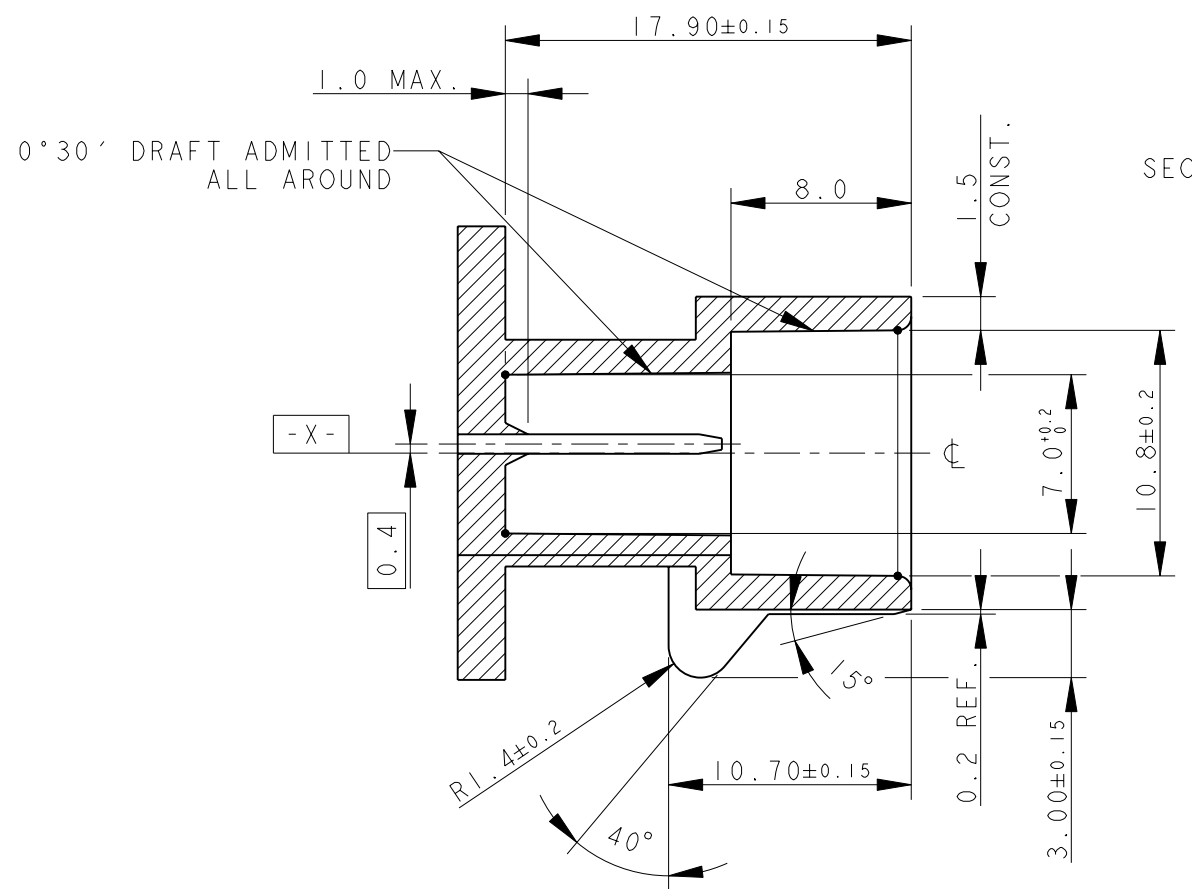
TE CONNECTIVITY TRADE MARK
 (IN ALTERNATIVE: "AMP" LOGO OR "Tyco Electronics" LOGO)
 SEALING (SILICONE RUBBER)
 PRE-ASSEMBLED SECONDARY LOCK (RED COLOR)

THIS DRAWING IS A CONTROLLED DOCUMENT.		DWN C. BERTINI 07-1990	TE Connectivity			
DIMENSIONS: mm		CHK A. BRUNI 07-1990				
TOLERANCES UNLESS OTHERWISE SPECIFIED:		APVD -	NAME			
0 PLC ±-		PRODUCT SPEC 108-20090	AMP SUPERSEAL 1.5 SRS. 3 POSITIONS PLUG ASS'Y			
1 PLC ±0.3		APPLICATION SPEC 412-20000				
2 PLC ±-		WEIGHT 3.65gr	SIZE A3	CAGE CODE 00779	DRAWING NO C-282087	RESTRICTED TO -
3 PLC ±-		CUSTOMER DRAWING		SCALE -	SHEET 1 OF 2	REV B5
4 PLC ±-						
ANGLES ±2°						
FINISH -						

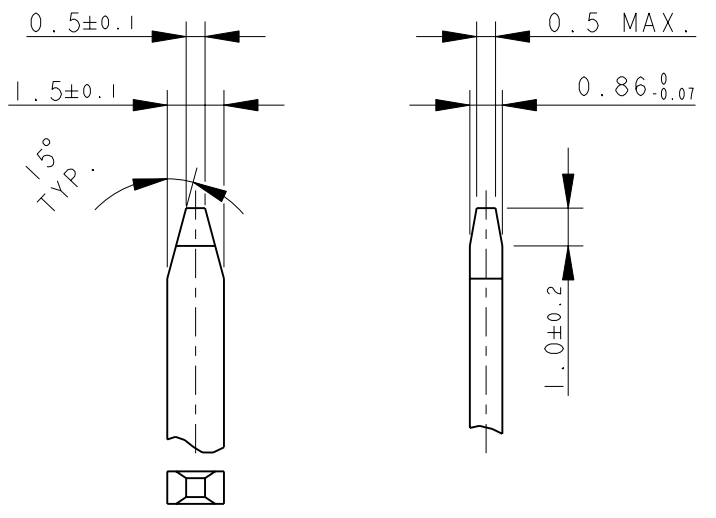
THIS DRAWING IS UNPUBLISHED. RELEASED FOR PUBLICATION 2011
 © COPYRIGHT 2011 ALL RIGHTS RESERVED.

LOC	DIST	REVISIONS					
		P	LTR	DESCRIPTION	DATE	DWN	APVD
1	-			SEE SHEET 1			

COUNTERPART DETAILS



TAB DETAILS



MATERIALS: PA66-GF FOR HOUSING
 TIN PLATED BRASS FOR TABS

THIS DRAWING IS A CONTROLLED DOCUMENT.		DWN C. BERTINI 05-1992	TE Connectivity		
DIMENSIONS: mm		CHK A. BRUNI 05-1992			
TOLERANCES UNLESS OTHERWISE SPECIFIED:		APVD -	NAME		
0 PLC ±0.3 1 PLC ±0.1 2 PLC ±0.05 3 PLC ± 4 PLC ± ANGLES ±2°		PRODUCT SPEC -	AMP SUPERSEAL 1.5 SRS. 3 POSITIONS PLUG ASS'Y		
MATERIAL		APPLICATION SPEC -	SIZE A300779	CAGE CODE C-282087	RESTRICTED TO -
FINISH		WEIGHT -	SCALE 3:1		SHEET 2 OF 2
		CUSTOMER DRAWING	REV B5		