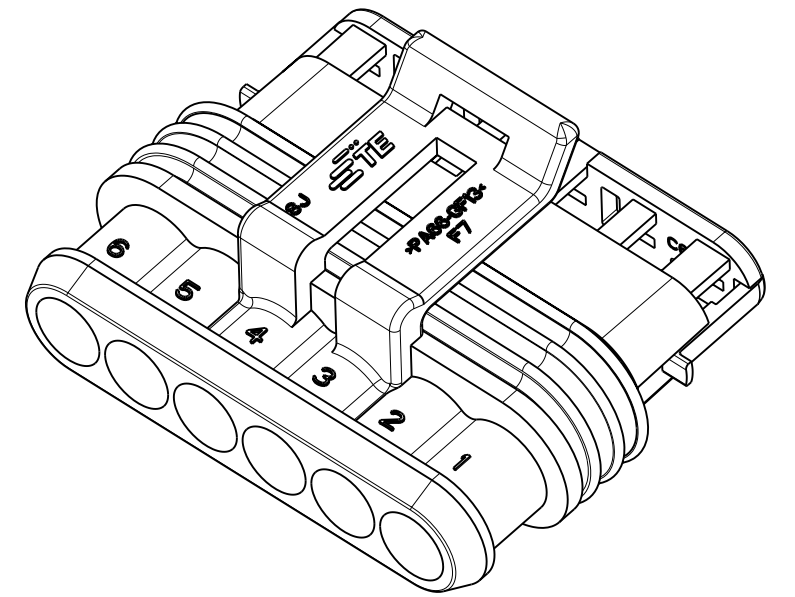
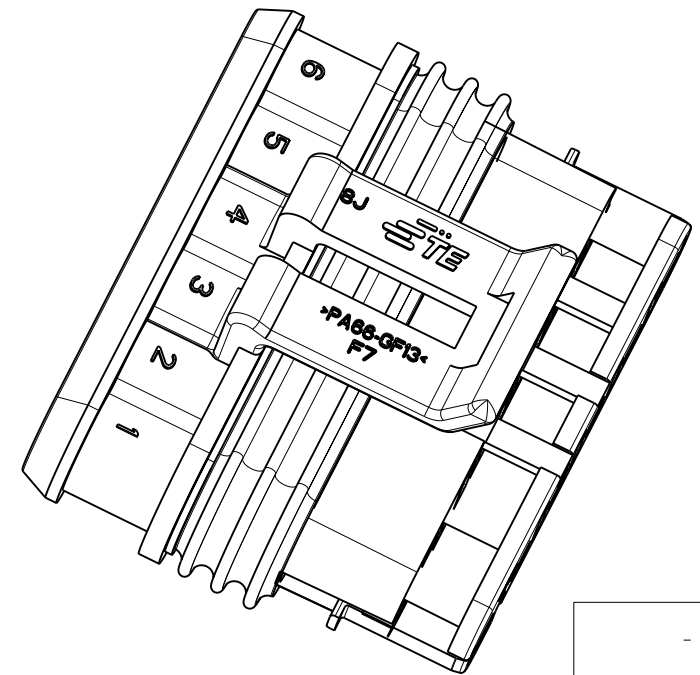
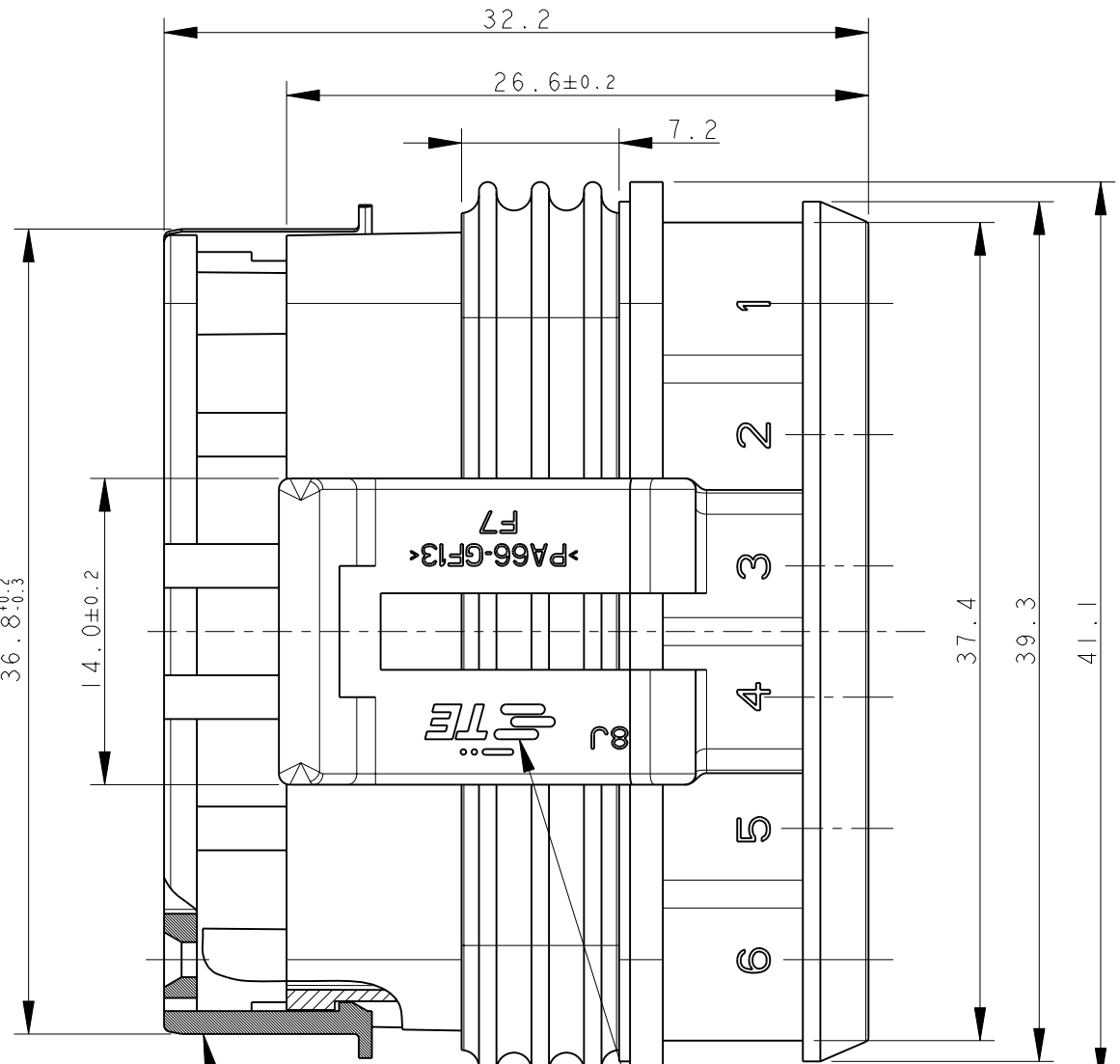
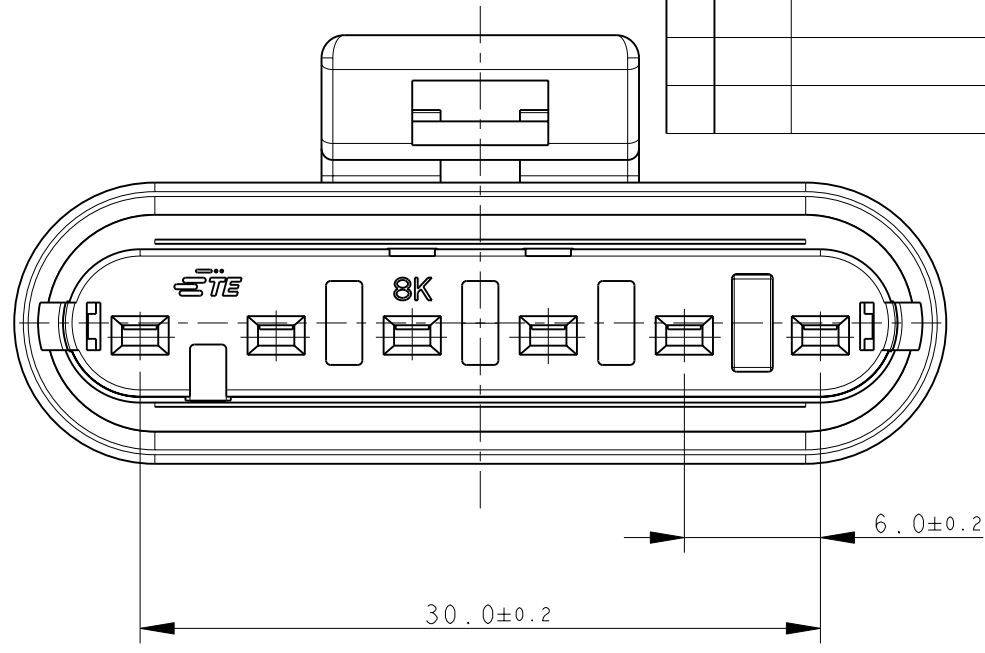
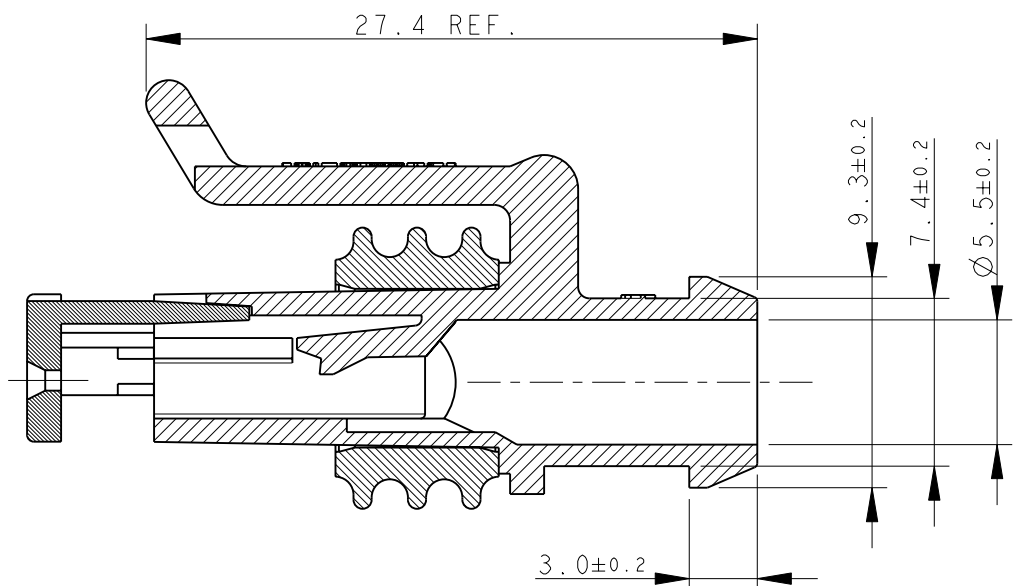


THIS DRAWING IS UNPUBLISHED. RELEASED FOR PUBLICATION 2011
 © COPYRIGHT 2011 ALL RIGHTS RESERVED.

LOC	DIST	REVISIONS			
P	LTR	DESCRIPTION	DATE	DWN	APVD
		D2	REVISED BY ECR-11-024280	13DEC2011	M.F. M.G.



1) FOR COUNTERPART DETAILS, SEE SHEET 2 OF 2

-	BLACK	PA66-GF	282090-1
NOTE	FINISH/COLOR	MATERIAL	PART NUMBER

TE CONNECTIVITY TRADE MARK,
 (IN ALTERNATIVE: "AMP" LOGO,
 OR "Tyco Electronics" LOGO)

SEALING
 (SILICONE RUBBER)

PRE-ASSEMBLED SECONDARY LOCK
 (RED COLOR)

THIS DRAWING IS A CONTROLLED DOCUMENT.

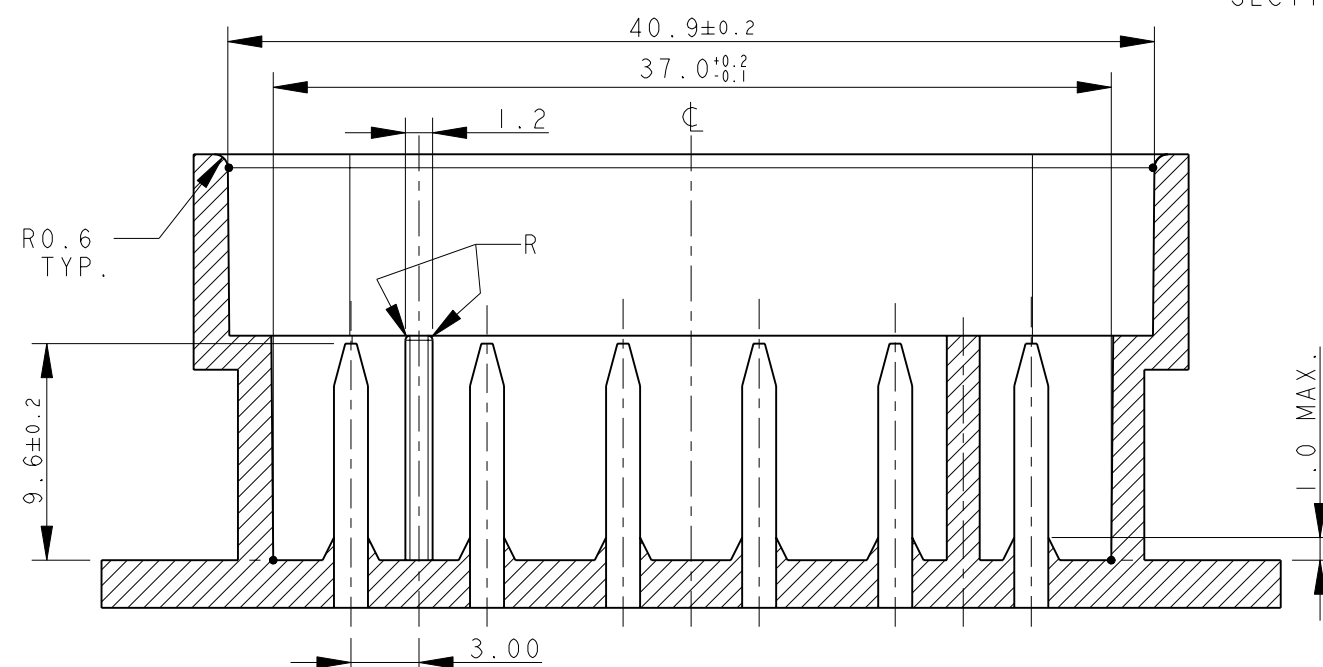
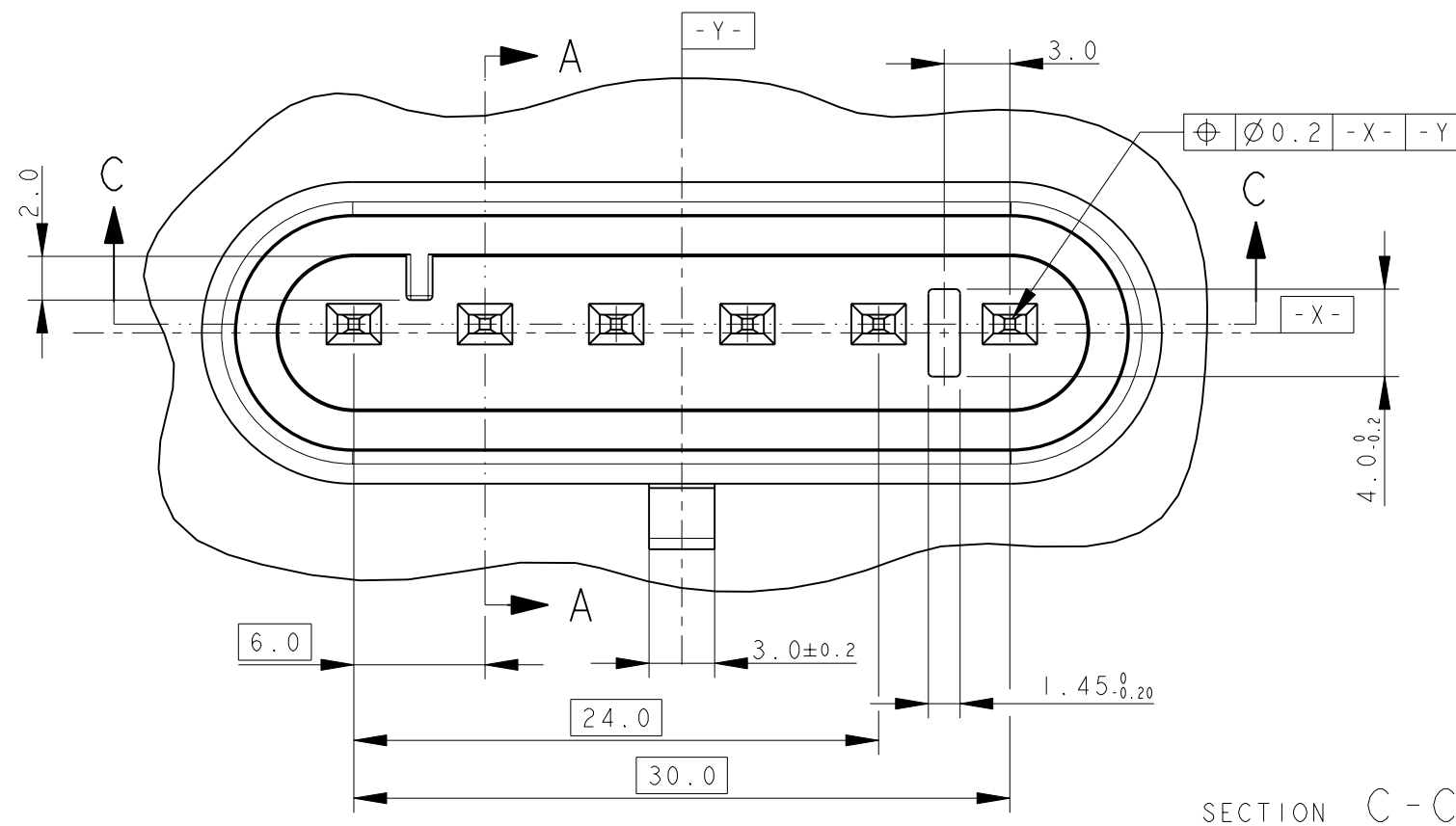
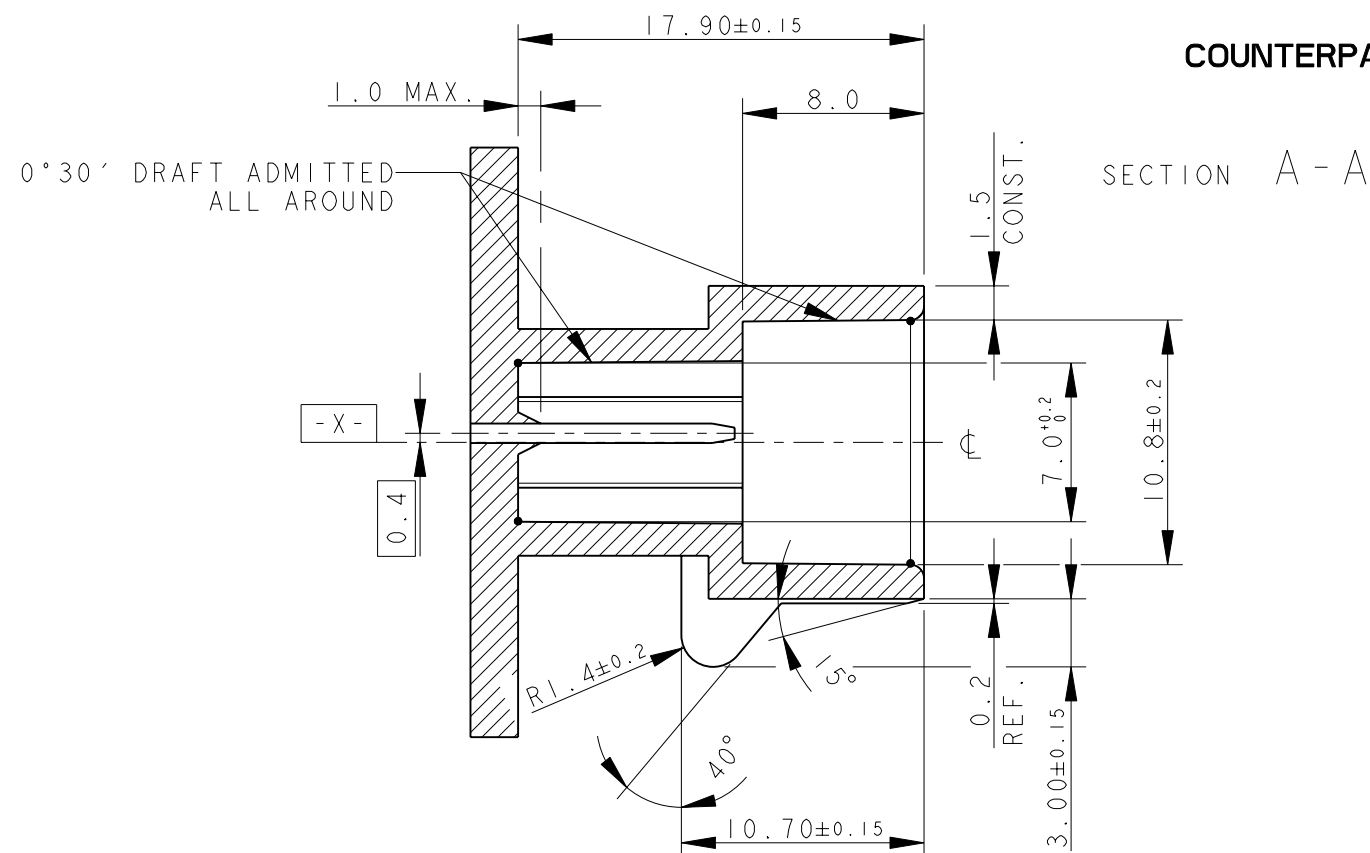
DIMENSIONS: mm	TOLERANCES UNLESS OTHERWISE SPECIFIED:
	0 PLC ±-
	1 PLC ±0.3
	2 PLC ±-
	3 PLC ±-
	4 PLC ±-
	ANGLES ±2°
MATERIAL	FINISH

DWN	C. BERTINI	05-1992
CHK	A. BRUNI	05-1992
APVD	-	-
PRODUCT SPEC	108-20090	
APPLICATION SPEC	412-20000	
WEIGHT	6.55gr	
CUSTOMER DRAWING		

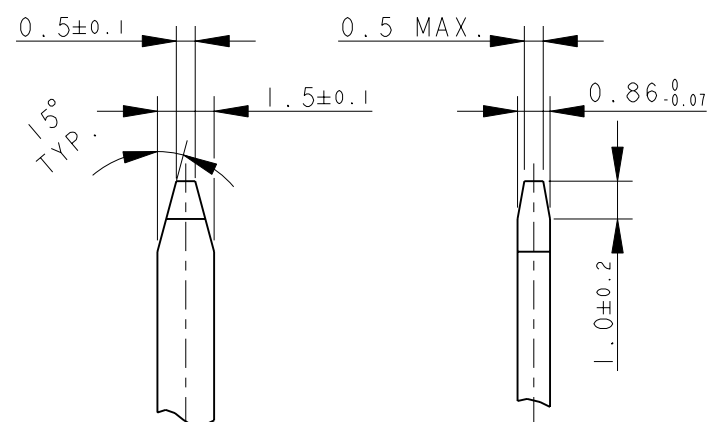
TE Connectivity		NAME	
		AMP SUPERSEAL 1.5 SRS. 6 POSITIONS PLUG ASS'Y	
SIZE	CAGE CODE	DRAWING NO	RESTRICTED TO
A3	00779	C-282090	-
SCALE 1:1		SHEET 1 OF 2	REV D2


LOC	DIST	REVISIONS			
P	LTR	DESCRIPTION	DATE	DWN	APVD
1	-	SEE SHEET 1			

COUNTERPART DETAILS



TAB DETAILS



THIS DRAWING IS A CONTROLLED DOCUMENT.		DWN C. BERTINI 05-1992	 TE Connectivity	
DIMENSIONS: mm		CHK A. BRUNI 05-1992		
TOLERANCES UNLESS OTHERWISE SPECIFIED:		APVD -	NAME	
0 PLC ±0.3 1 PLC ±0.1 2 PLC ±0.05 3 PLC ± 4 PLC ± ANGLES ±2°		PRODUCT SPEC 108-20090	AMP SUPERSEAL 1.5 SRS. 6 POSITIONS PLUG ASS'Y	
MATERIAL		APPLICATION SPEC 412-20000	SIZE A300779	DRAWING NO C-282090
FINISH		WEIGHT 6.55gr	RESTRICTED TO	
		CUSTOMER DRAWING	SCALE 3:1	SHEET 2 OF 2
			REV D2	


 MATERIALS: PA66-GF FOR HOUSING
 TIN PLATED BRASS FOR TABS