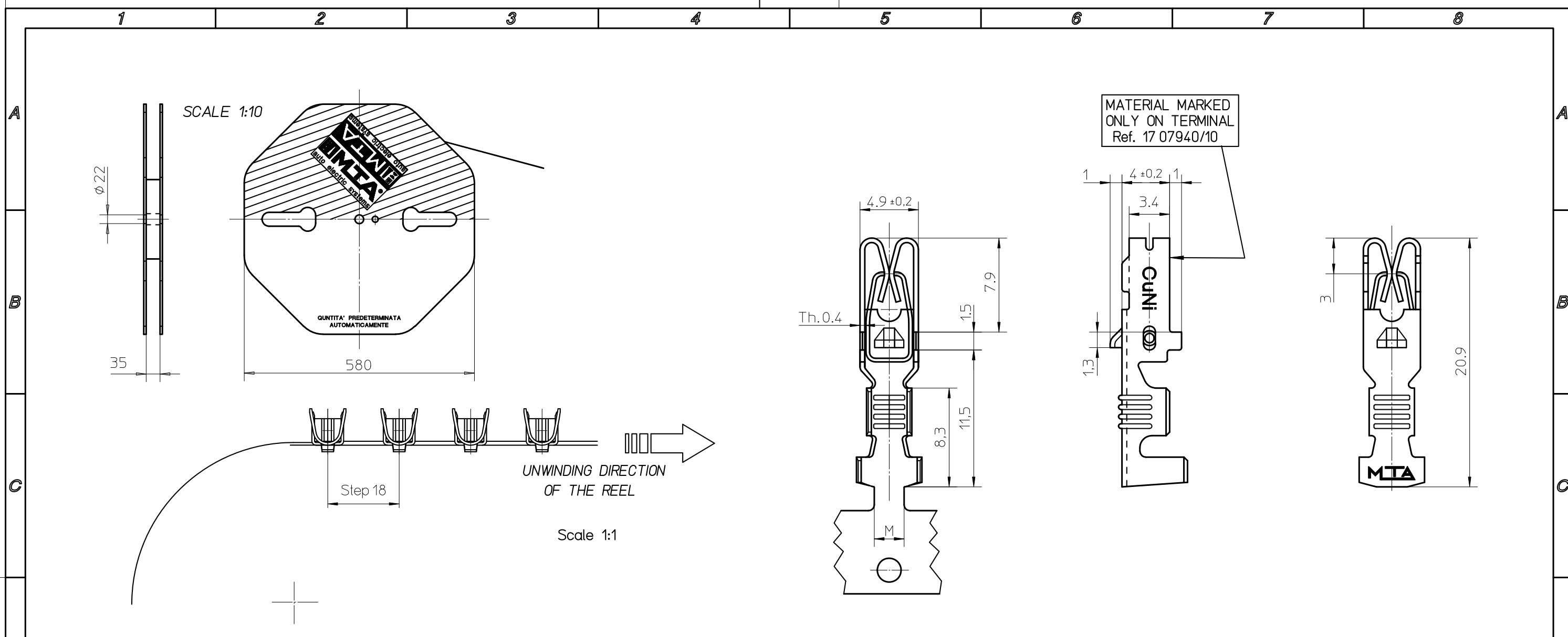
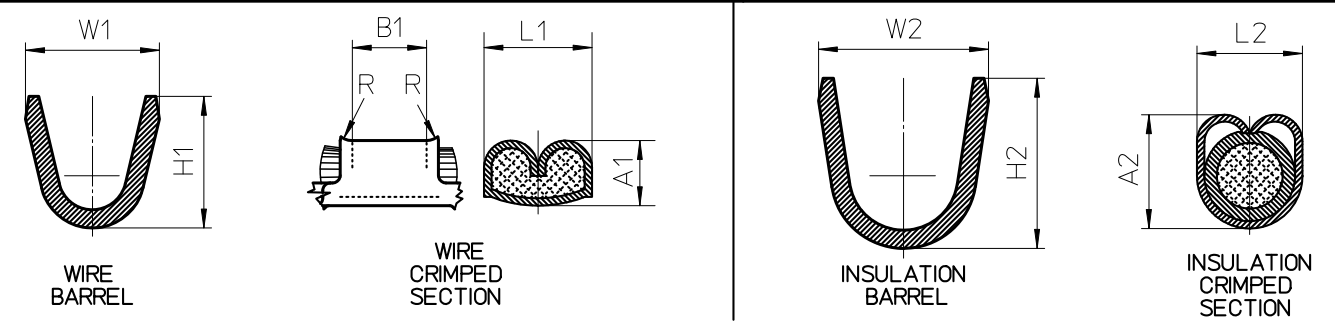


All proprietary rights reserved by MECCANOTECNICA CODOGNESE S.p.A. - This drawing shall not be reproduced, or in any way utilized, for the manufacture of the component or unit herein illustrated and must not be released to other parties, without written consent. Any infringement will be legally pursued.



CRIMP STATEMENTS



VALUES OBTAINED USING A 1.5t PRESS

MTA P/N	DRAW N.	MATERIAL	RATED CURRENT (A)	Wire sec. (sqmm)	CONDUCTOR			INSULATION			TEAR OUT FORCE (N)	M			
					H1	W1	A1 ± 0.05	L1	B1	H2			W2	A2	
1707920/10	B0-018.003A	CuSn B4 + STEEL CLIP	14	0.5	3.5	3.2	1.35	2.60	3.20	4.8	5	-	3.65	>70	2.5
				0.75			1.45	2.60	3.20			-	3.64	>90	
				1			1.55	2.60	3.20			-	3.64	>115	
				1.5			1.65	2.60	3.20			-	3.65	>155	
1707930/10	B0-018.003B	CuSn B4 + STEEL CLIP	20	2	4	3.8	1.80	3.05	3.20	4.8	5.5	-	4.12	>195	2.5
				2.5			1.90	3.06	3.20			-	4.14	>235	
				3			2.00	3.10	3.20			-	4.14	>360	
1707940/10	B0-018.003C	CuNi2Si th (Wieland K50) STEEL CLIP	37	4	6.3	5.6	2.4	3.68	3.20	6.4	6.2	-	5.30	>320	5
				6			2.55	3.71	3.20			-	5.25	>400	

UNCONTROLLED COPY
in case of drawing updating/revision
NO AUTOMATIC
resubmission will follow

IMTA auto electric systems		MTA P/N	1707920/10		Denom. TERMINAL UNI F630 WITH CLIP						
		Draw No.	B0-018.003A		Used for SECTION CABLE 0.5-1.5 sqmm						
Rel. Level		APPROVED		Draw for CLIENT		Family		TERMINALS	POWER T		
Date		Name		Scale	Weight(g)	Lin.Tol.±	Ang.Tol.±	Material	SEE TABLE	Thick.	Width
Draft.	30/11/1992	M.CORBANI		3:1		0.5	1			0,4	35,5
Chk.	30/11/1992	M.CORBANI						Coating	Tin Plated		
PQApp.	22/04/04	R.GONZALEZ		A3	⊕	Dimensions in mm	Sheet 1/1	Color			
App.	22/04/04	M.CORBANI									
13		TERMINAL CONFIGURATION MODIFIED									
No.	Reason for Revision				Date	19/04/04		Name		D.VACCHELLI	