

4

3

2

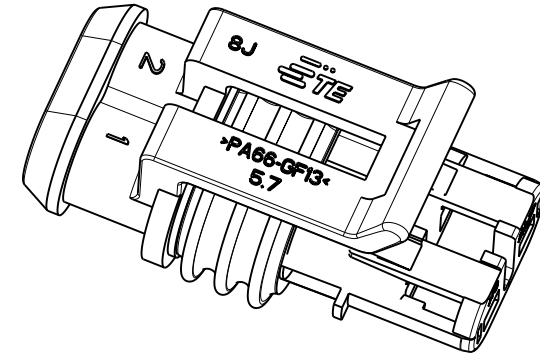
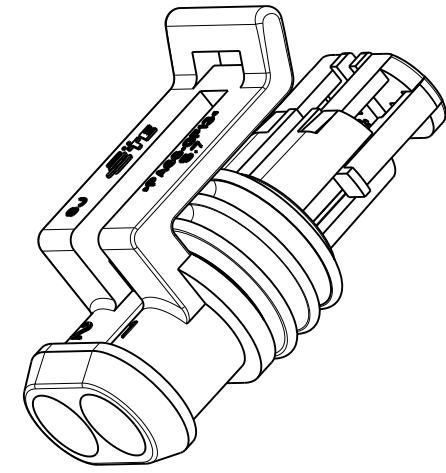
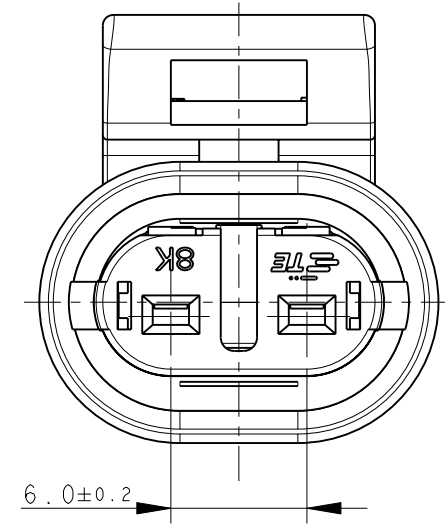
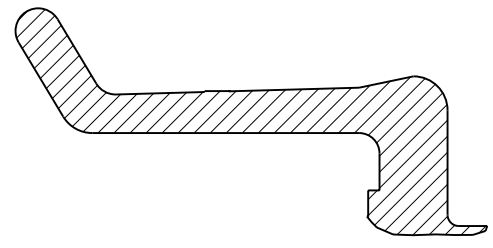
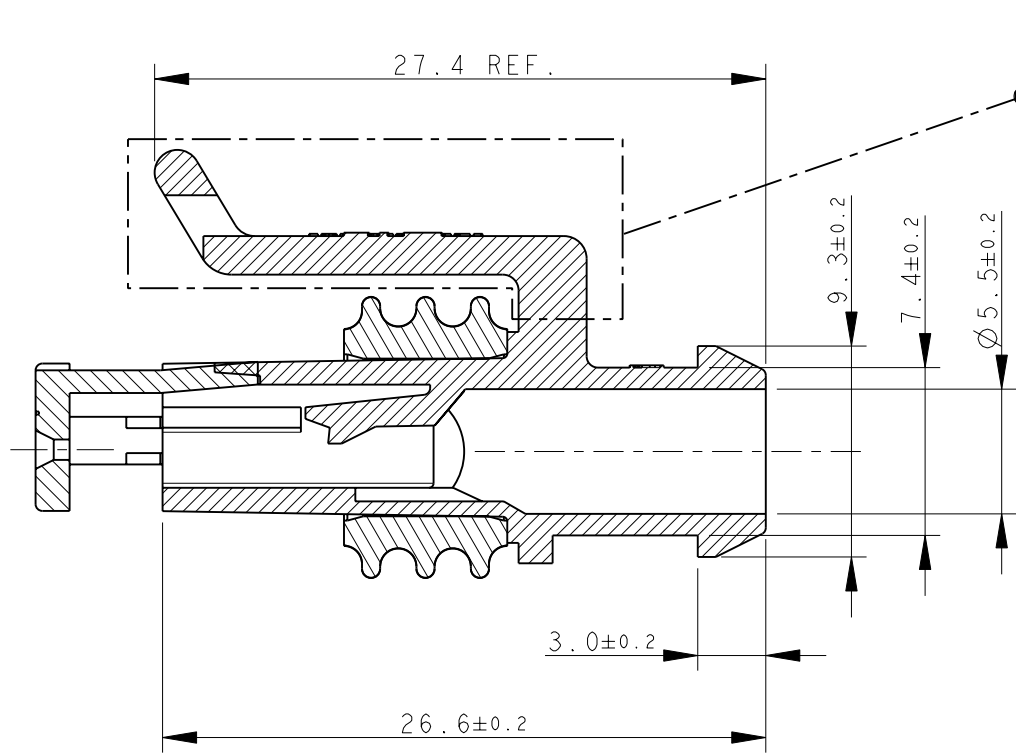
1

THIS DRAWING IS UNPUBLISHED. RELEASED FOR PUBLICATION 2011

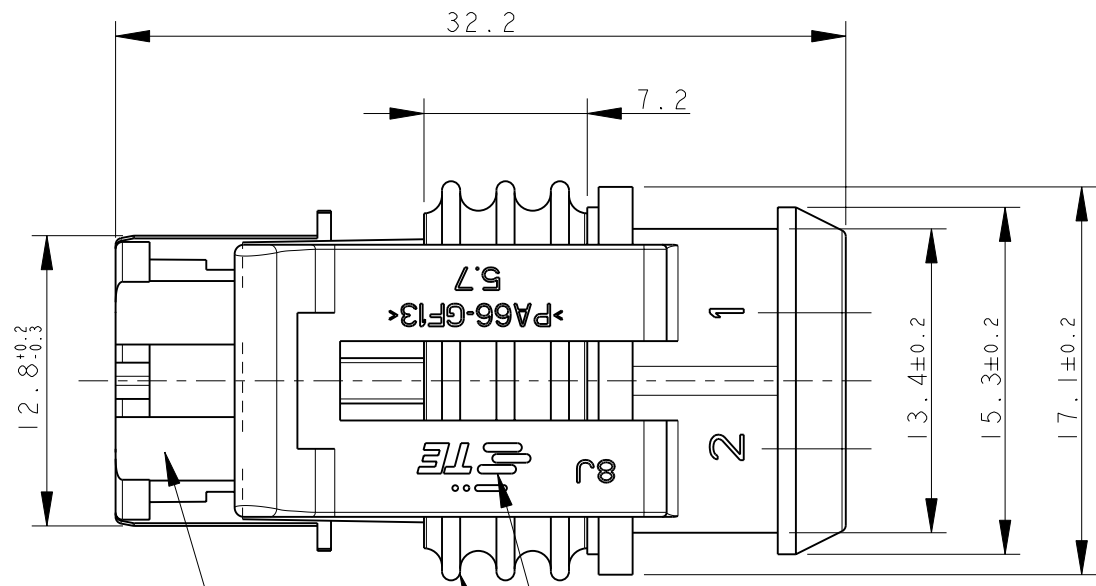
© COPYRIGHT 2011 ALL RIGHTS RESERVED.

LOC	DIST	REVISIONS				
P	LTR	DESCRIPTION	DATE	DWN	APVD	
		C5	REVISED FOR ECR-11-009825	20MAY2011	M.G.	M.G.
		C6	REVISED BY ECR-11-024280	13DEC2011	M.F.	M.G.

ALTERNATIVE DESIGN OF LOCKING LANCE



1) FOR COUNTERPART DETAILS, SEE SHEET 2 OF 2



BROWN	PA66-GF	282080-4
GREEN		282080-3
GRAY		282080-2
BLACK		282080-1
FINISH/COLOR	MATERIAL	PART NUMBER

TE CONNECTIVITY TRADE MARK, (IN ALTERNATIVE: "AMP" LOGO, OR "Tyco Electronics" LOGO)

SEALING (SILICONE RUBBER)

PRE-ASSEMBLED SECONDARY LOCK (RED COLOR)

THIS DRAWING IS A CONTROLLED DOCUMENT.		DWN C. BERTINI 05-1992	TE Connectivity			
DIMENSIONS: mm		CHK A. BRUNI 05-1992				
TOLERANCES UNLESS OTHERWISE SPECIFIED:		APVD -	NAME			
0 PLC ±-		PRODUCT SPEC 108-20090	AMP SUPERSEAL 1.5 SRS. 2 POSITIONS PLUG ASS'Y			
1 PLC ±0.3		APPLICATION SPEC 412-20000				
2 PLC ±-		WEIGHT 2.60gr	SIZE A3	CAGE CODE 00779	DRAWING NO C-282080	RESTRICTED TO -
3 PLC ±-		CUSTOMER DRAWING	SCALE 5:1	SHEET 1 OF 2	REV C6	
4 PLC ±-						
ANGLES ±2°						
FINISH -						

THIS DRAWING IS UNPUBLISHED.

RELEASED FOR PUBLICATION

2011

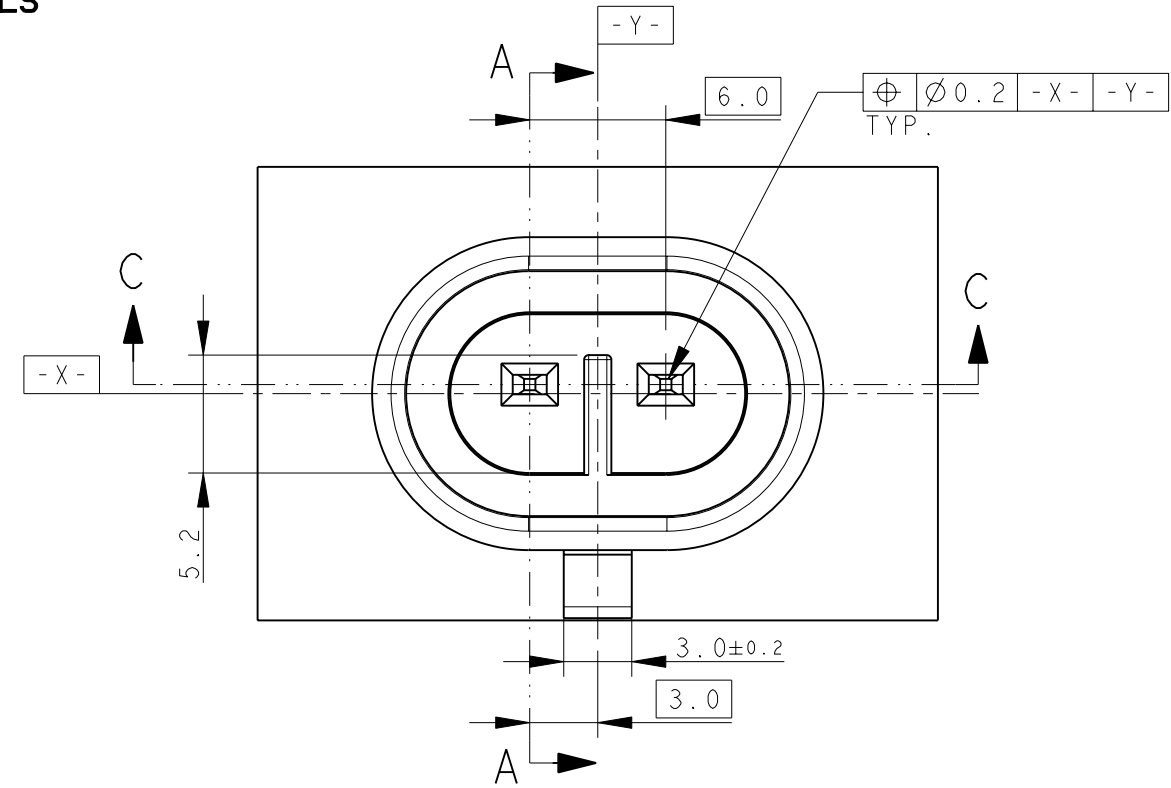
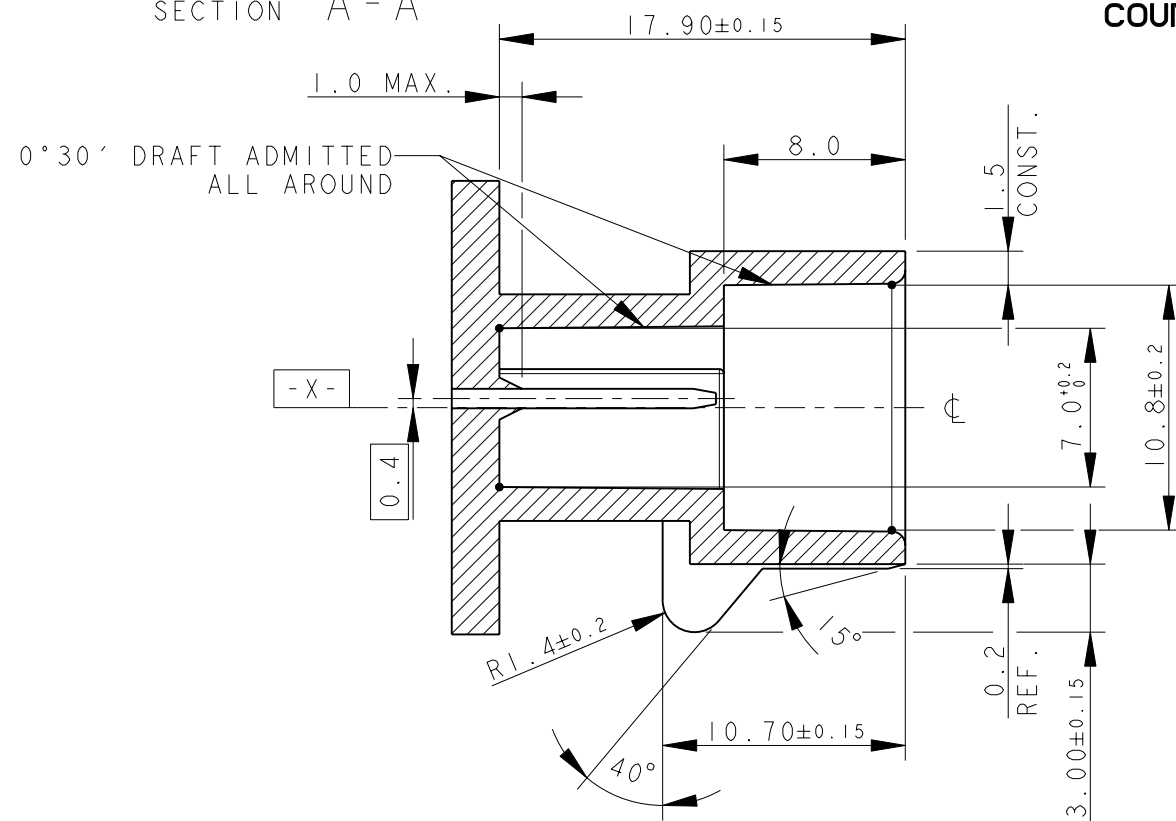
© COPYRIGHT 2011

ALL RIGHTS RESERVED.

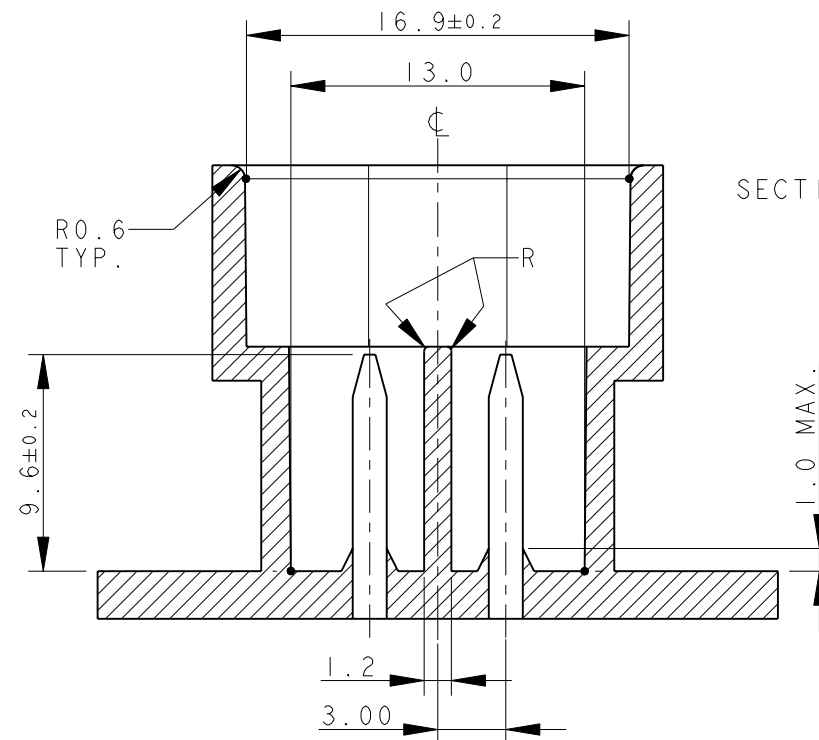
LOC	DIST	REVISIONS			
P	LTR	DESCRIPTION	DATE	DWN	APVD
1	-	SEE SHEET 1	-	-	-

SECTION A - A

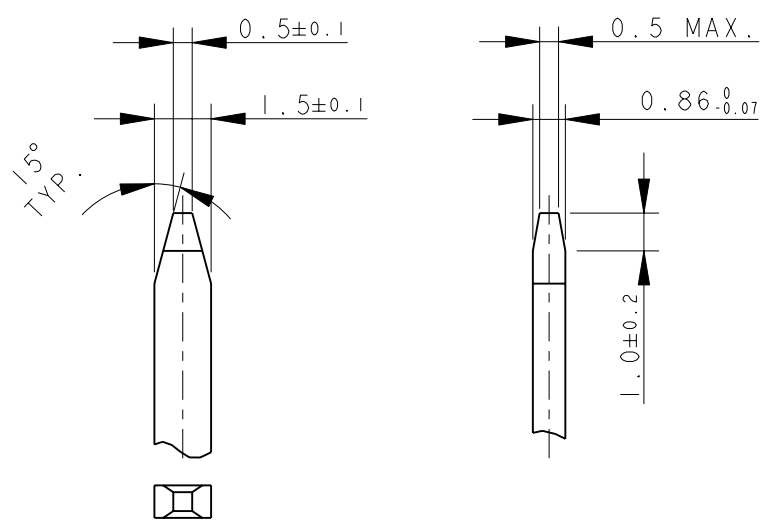
COUNTERPART DETAILS



SECTION C - C



TAB DETAILS



MATERIALS: PA66-GF FOR HOUSING
TIN PLATED BRASS FOR TABS

THIS DRAWING IS A CONTROLLED DOCUMENT.		DWN C. BERTINI 05-1992	TE Connectivity	
DIMENSIONS: mm		CHK A. BRUNI 05-1992		
TOLERANCES UNLESS OTHERWISE SPECIFIED:		APVD -	NAME	
0 PLC ±0.3		PRODUCT SPEC -	AMP SUPERSEAL 1.5 SRS. 2 POSITIONS PLUG ASS'Y	
1 PLC ±0.1		APPLICATION SPEC -	SIZE A3	CAGE CODE 00779
2 PLC ±0.05		WEIGHT -	DRAWING NO C-282080	RESTRICTED TO -
3 PLC ±		CUSTOMER DRAWING	SCALE 3:1	SHEET 2 OF 2
4 PLC ±			REV C6	
ANGLES ±				
FINISH				